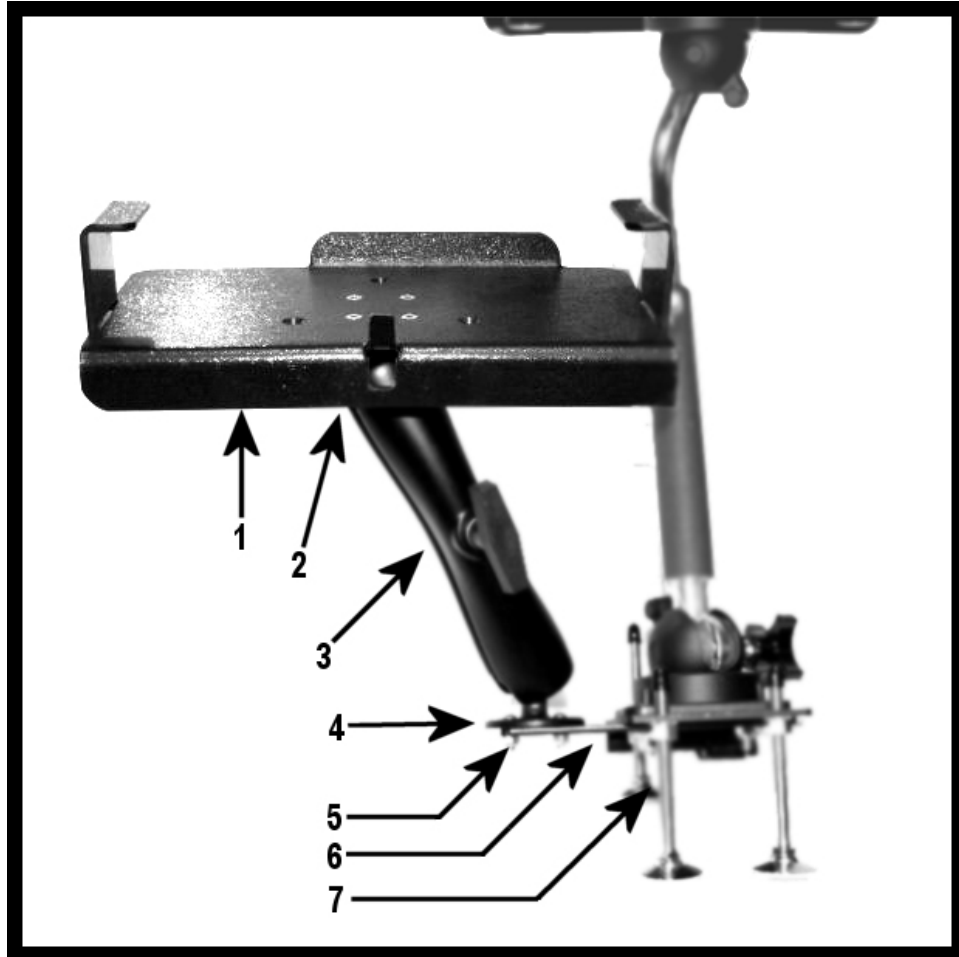


PRINT MOBILE

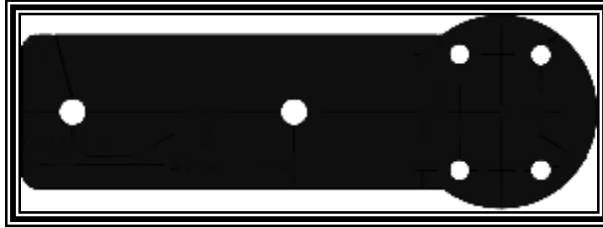


ITEM	QTY	DESCRIPTION
1	1	PRINTER TABLE (<i>ACTUAL TABLE MAY VARY FROM PICTURE</i>)
2	1	NON-SLIP RUBBER BALL (<i>HIDDEN IN PICTURE</i>)
3	1	DOUBLE SOCKET ARM
4	1	NON-SLIP RUBBER BALL
5	4	10-32 x 3/8" SCREW
6	1	MOUNTING PLATE
7	1	MOBILE DESK & BASE ASSEMBLY (NOT INCLUDED)

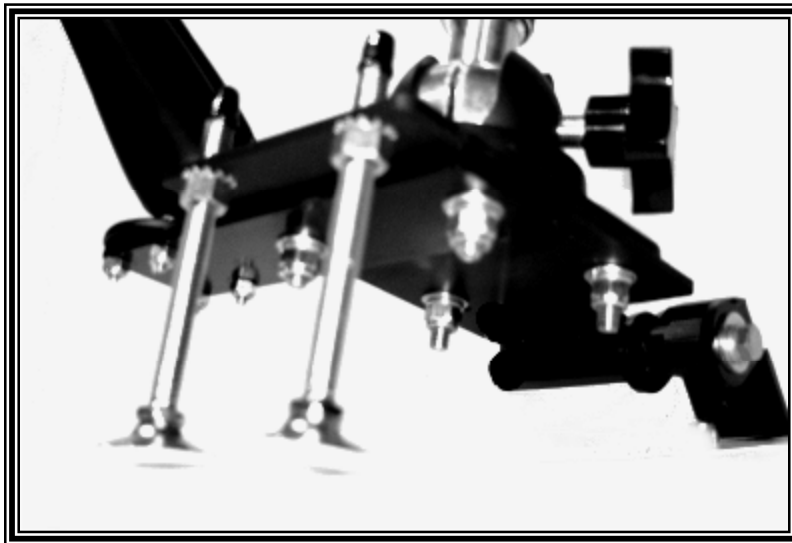
NOTE: INSTALLATION OF THE PRINT MOBILE TO THE MOBILE DESK BASE MOUNT IS EASIER DONE BEFORE INSTALLING MOBILE DESK BASE MOUNT IN VEHICLE.

Step 1:

Your Print Mobile mounting plate (6) will have 2 large holes. Align the holes with the bolts used to secure your swivel base item to your Mobile Desk base plate (7). Use the pair of bolts located closest to the front of your vehicle. Please refer to your Mobile Desk instructions for directions on how to assemble your Mobile Desk base unit.

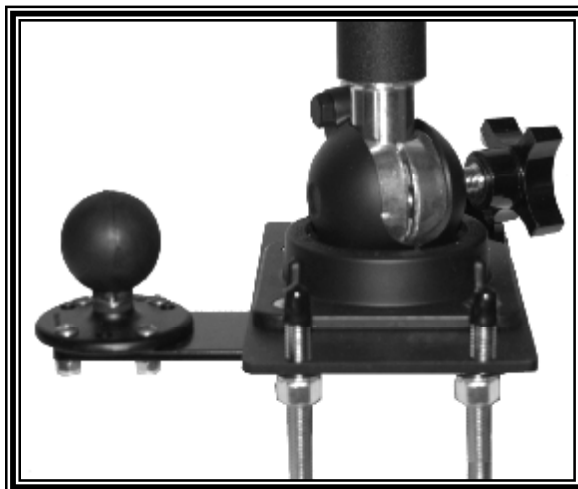


Secure your Print Mobile mounting plate in place by bolting it to your Mobile Desk base mount using the parts provided with your desk.



Step 2:

Using the 10-32 x 3/8" screws (5), mount the non-slip rubber ball (4) to the top of the Print Mobile mounting plate.



Step 3:

Loosen the knob on your double-socket arm (3) enough so that you can fit one end securely over the non-slip rubber ball you just mounted in step 2.



Step 4:

Mount your printer table (1) and its connected non-slip rubber ball (2) to the double socket arm by inserting the ball into the free end of the socket arm. Tighten the assembly by turning the knob on the double socket arm until your Print Mobile is secure.

