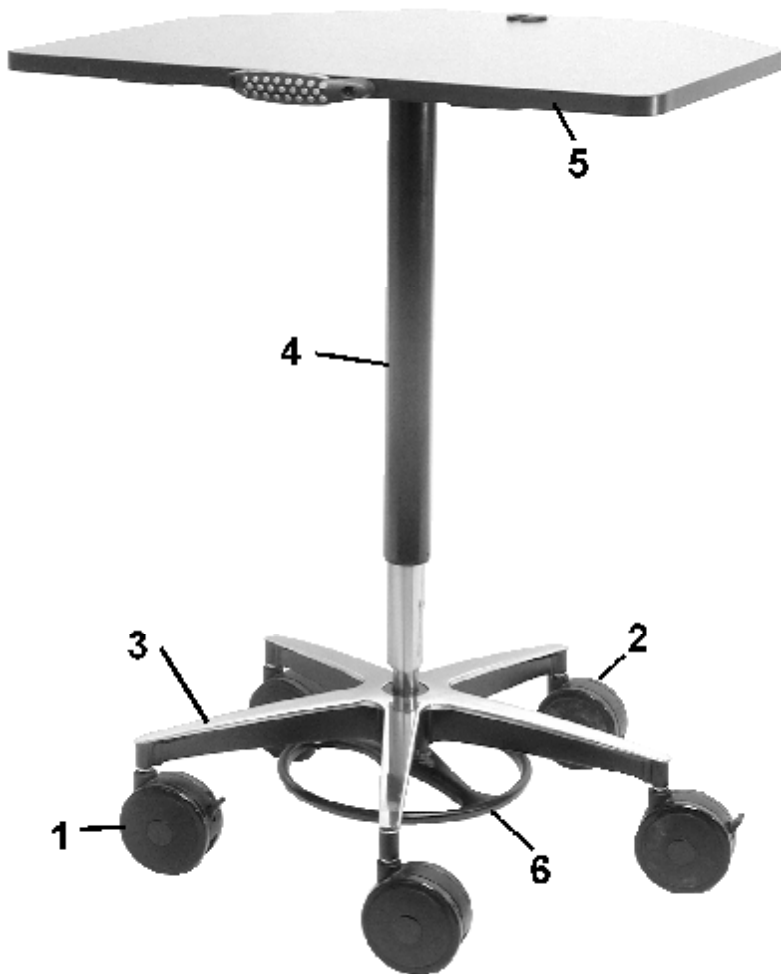


MedCart



MedCart Deluxe



MedCart Pro

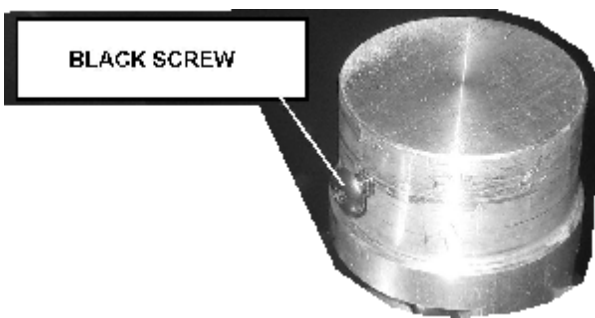
Item	Qty.	Description
1	2	Locking Casters
2	3	Non Locking Casters
3	1	5 Point Star Base
4	1	Gas Actuated Pedestal
5	1	Computer Table
6	1	Foot Pedal

Assemble Base & Pedestal

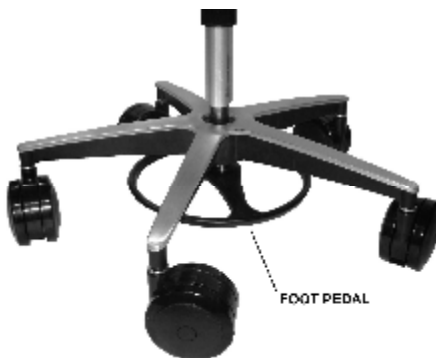
1. Insert casters into holes of 5 point star base, alternating locking and non-locking casters as shown in figure below, left.
2. Insert pedestal into center hole of 5 point star base with the button side down (see figure below, right).



Attaching Top & Adjustment

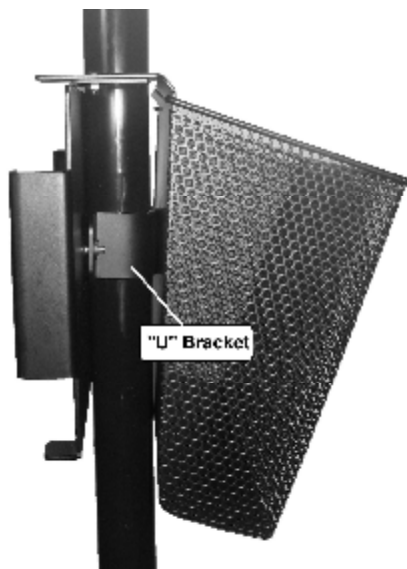


1. Remove the black screw from aluminum stud on underside of top. Insert stud into top of pedestal. Line up the hole in the pedestal with the hole in the stud and replace black screw and tighten.

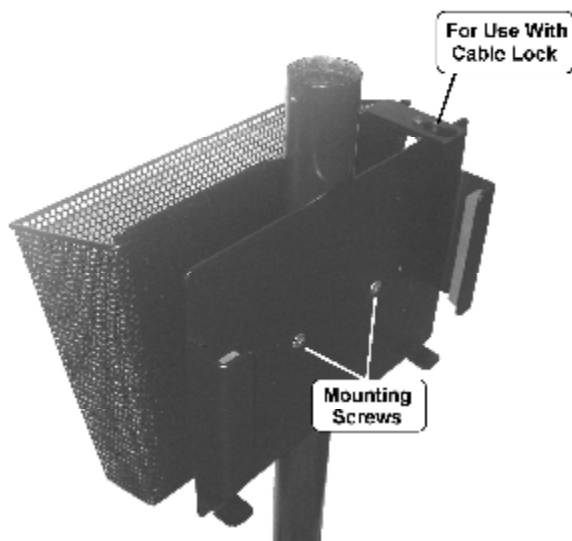


2. Adjust height by depressing the foot pedal. Release the pedal when desired height is achieved.

Storage Basket & Battery Holder (Deluxe Model)



1. Storage Basket and Battery holder connect together, surrounding pedestal.
2. Position Storage basket in desired location.
3. Position Battery Holder so that the through holes line up with the threaded holes of the Storage Basket's "U" Bracket.



4. Insert Mounting Screws and tighten with supplied 3/16" hex key.
5. If desired, a Cable Lock can be used to secure battery.